

1  
ROHS Compliant

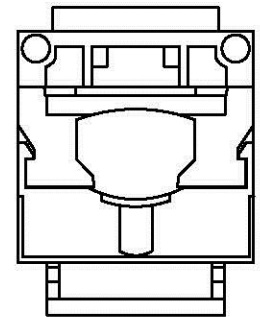
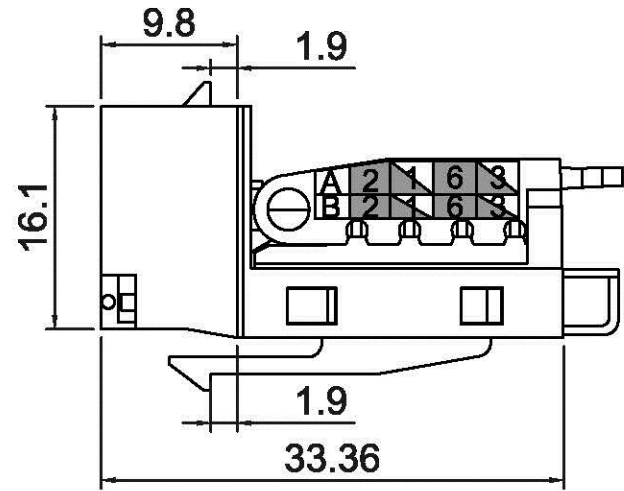
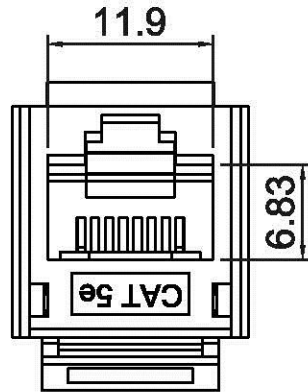
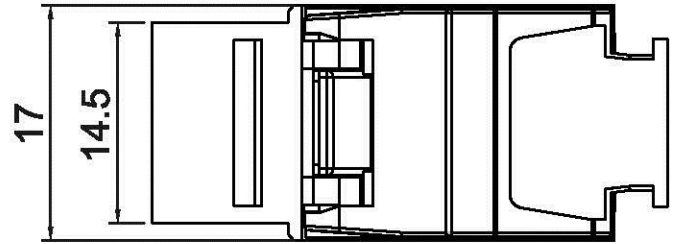
7	
DATE	2012/06/21
Revision	A

Features :

- T-568A/B Dual wiring
- RJ45 complies with FCC part 68 standard
- 110/Krone dual IDC connector compatible
- Provides termination for 22~26 AWG wire
- Jack insertion life >750 mating cycles
- IDC insertion life >250 mating cycles
- Operating temperature : -40 °C ~ +60 °C

Electrical :

- Contact resistance : 20m ohm
- DC Current rating : 1.5Amps
- DC resistance : Max.0.1 ohm
- Insulation Resistance : 500m ohm
- Dielectric withstanding voltage : 1000V



TOLERANCE	
.XXXX	---
.XXX	0.10
.XX	0.25
.X	0.38

MATERIAL

CATEGORY	<input checked="" type="checkbox"/> CAT.5E <input type="checkbox"/> CAT.6 <input type="checkbox"/> CAT.3 <input type="checkbox"/> OTHER _____
HOUSING	ABS UL94V-0
CONTACT	0.46 mm DIAMETER PHOSPHOR BRONZE GOLD PLATED OVER NICKEL
GOLD-PLATING	<input type="checkbox"/> 0.0762um/3u inch <input type="checkbox"/> 0.15um/6u inch <input type="checkbox"/> 0.38um/15u inch <input type="checkbox"/> 0.76um/30u inch <input checked="" type="checkbox"/> 1.27um/50u inch
COLOR	<input type="checkbox"/> WHITE <input type="checkbox"/> BLACK <input type="checkbox"/> GREEN <input type="checkbox"/> BLUE <input type="checkbox"/> YELLOW <input type="checkbox"/> RED <input type="checkbox"/> ORANGE <input type="checkbox"/> IVORY <input type="checkbox"/> OTHER _____
TYPE OF PRODUCT	<input checked="" type="checkbox"/> UNSHIELD <input type="checkbox"/> SHIELD : 0.25mm THICKNESS COPPER ALLOY WITH NICKLE PLATED.

P/NO. SY-505-E

ITEM. Keystone Jack	CO. SY	S/N. SY-505-E
DR. Wakka 2012/06/21	APPD.	CHKD.
		FILE. SY-505-E
www.allconnectors.de Tel.: 0049 711 7009503 70794 Filderstadt - Germany	info@allconnectors.de Fax: 0049 711 7009504 Kettenerstr. 25	SCALE /
REV.	DESCRIPTION	UNIT mm SIZE A4

1	2	3	4
1	2	3	4

5	6	7
5	6	7